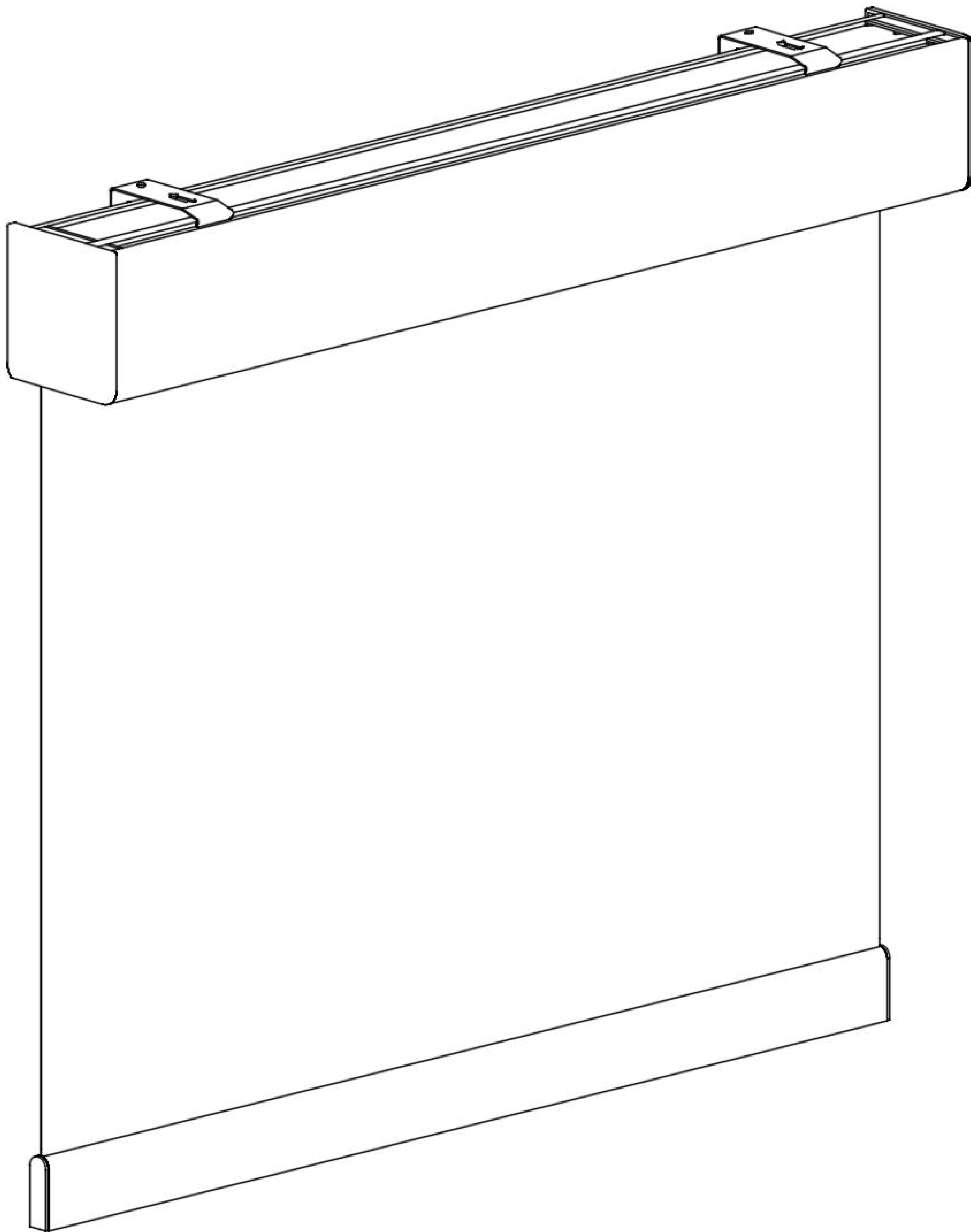


Yamazing

Roller Shades

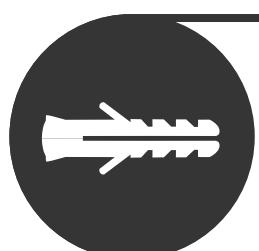
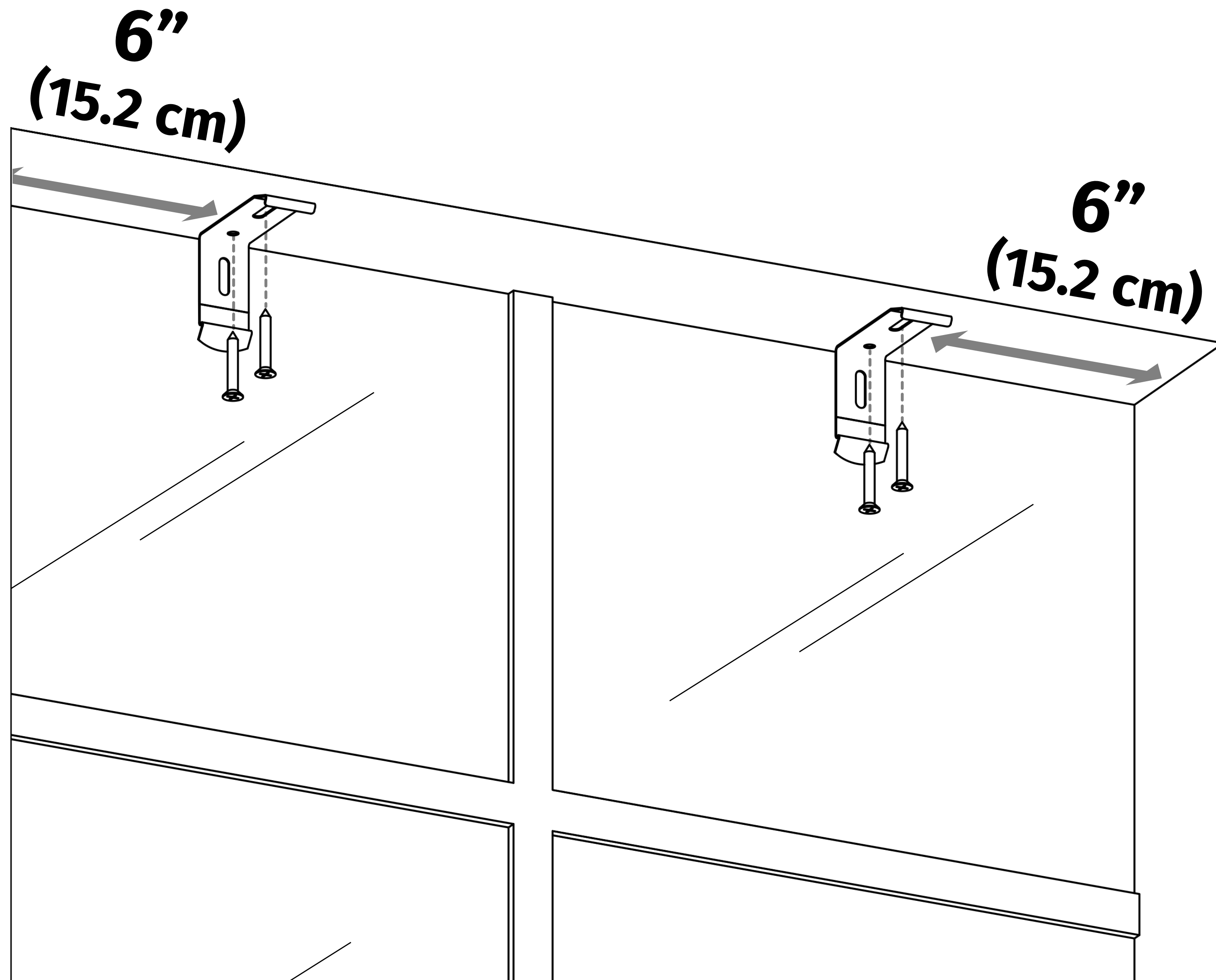
Designer Series

Inside Mount Installation Guide



1

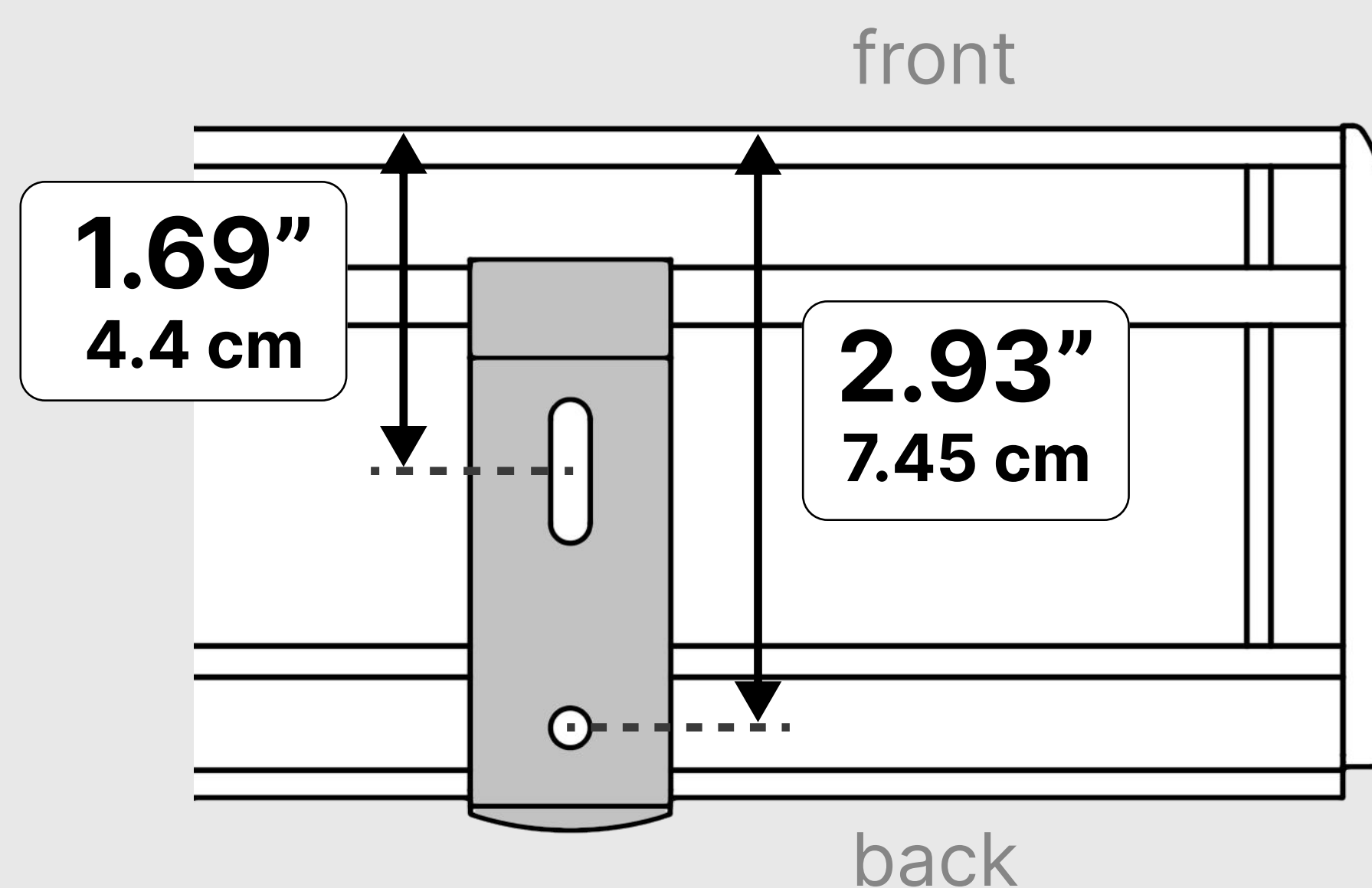
Mount the brackets inside the frame



When there is no stud or support for the screw, use the provided drywall anchors

For Flush Mount Installation

Mark positions as described below



2

Install the Roller Shades

